

Skyline CB-9

Industrial-grade Multi-system Combo Antenna

- Screw-mount high-performance GNSS + MIMO LTE + MIMO WiFi combination antenna
- Proprietary-designed excellent GNSS signal reception quality and RF isolation
- Apply weather-resistance antenna enclosure material for harsh environment



The CB-9 is a rugged combination antenna of GNSS, WiFi, and telecom LTE bands, which features excellent GPS/GLONASS signal quality, WiFi, and MIMO LTE coverage. With anti-UV material and water ingress design, the combo antenna is easy to install and able to meet commercial and industrial standards.

Features

- Central screw mount, easy installation
- Zinc alloy die casting antenna base
- IPX7 Waterproof
- Support GPS/GLONASS, WiFi
2.4/5.8GHz and MIMO LTE
- RF independent grounded
- Application flexibility: 1 lead, 2 leads, 3 leads, 4 leads, and 5 leads version optional (1xGNSS, 2xLTE, 2xWiFi).

Applications

- Navigation and data communication
- Vehicle tracking and fleet management
- Machine-to-machine, SCARDA
- IoT gateway, routers



Mechanical Specification

Dimension	80 (dia.) x 47mm
Mounting	Screw Mount
Standard Cable & Connector	3 meter RG-174 SMA (SP) connector
Enclosure Material	ASA
Operating Temperature	-35°C to 85°C
Storage Temperature	-40°C to 85°C



LTE Specification (MIMO-Main)

MIMO LTE		
Frequency (MHz)	698~960	1710~2690
Peak Gain	1.2dB	7.31dB
Efficiency	35.5%	88.3%
Impedance	50 ohm	
VSWR	< 2.0	
Polarization	Linear	

LTE Specification (MIMO-Diversity)

MIMO LTE		
Frequency (MHz)	698~960	1710~2690
Peak Gain	0.5dB	6.36dB
Efficiency	37.8%	63.46%
Impedance	50 ohm	
VSWR	< 2.0	
Polarization	Linear	

WiFi Specification

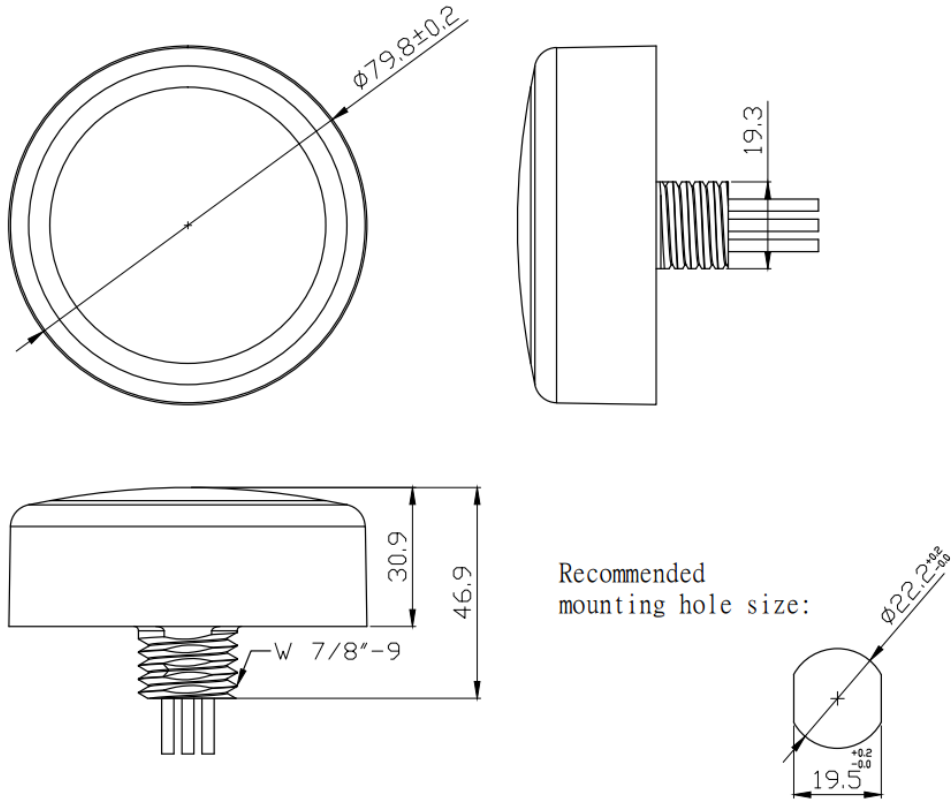
WiFi (can be upgraded to MIMO WiFi)		
Frequency (MHz)	2400-2500	5150-5850
Peak Gain	2.4dB	5.33dB
Efficiency	61.7%	62.4%
Impedance	50 ohm	
VSWR	< 2.0	
Polarization	Linear	

GPS & GLONASS Specification

Antenna	
Frequency (MHz)	GPS L1: 1575.42, GLONASS L1: 1602
VSWR	≤ 1.5
Gain (Peak)	4.5dBi
Polarization	R.H.C.P.
Impedance	50 ohm
LNA	
LNA Gain	28±2dB
VSWR	<1.5
Noise Figure	<1.5
DC Voltage	2.7~5V
DC Current	8~13mA

* Specifications are subject to change without prior notice.

Drawing



Reference:

